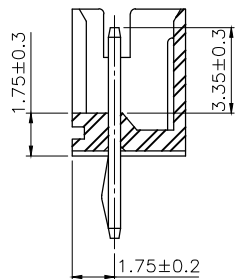
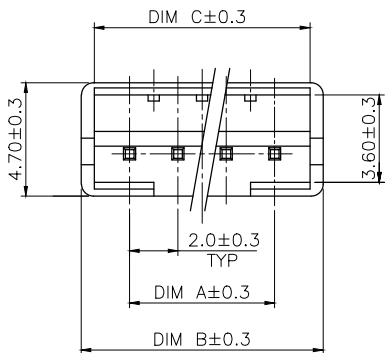


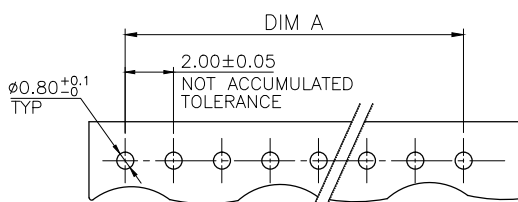
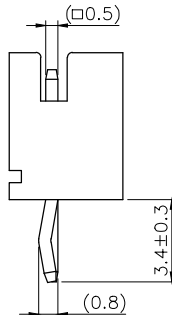
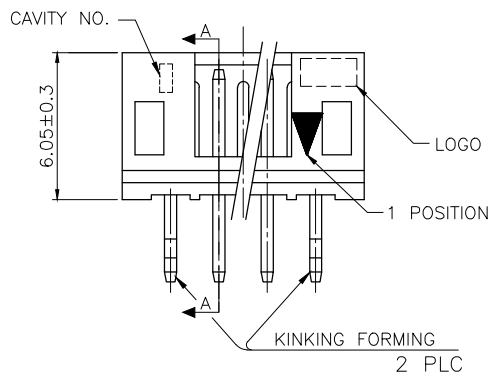
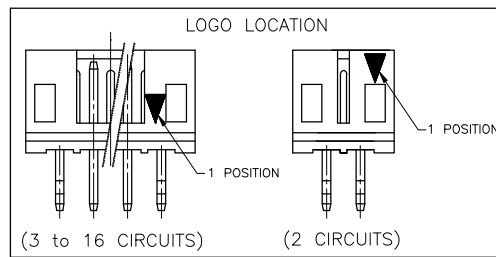
LOC DW DIST

REVISIONS

P	LTR	DESCRIPTION	DATE	DWN	APVD
E2		REVISED (ECR-14-012834), PART OBSOLETE	08DEC14	S.C	H.L



SEC. A-A



RECOMMENDED PCB LAYOUT (PCB THK=1.0~1.6)

NOTES:

- MATERIAL:  
HOUSING: NYLON 66, UL94V-0, COLOR: SEE TABLE.  
CONTACT: BRASS, THICKNESS=0.50mm.
- FINISH:  
2.03um[80u"] MIN. BRIGHT-TIN PLATING ON CONTACT.  
1.27um[50u"] MIN. NICKEL ENTIRE CONTACT UNDERPLATED.
- WAVE SOLDER CAPABLE TO 265°C PER TEST SPEC.  
109-202, CONDITION B.
- RAISED TYPE PN: 9-440054-2

PACKAGE	COLOR	DIM C	DIM B	DIM A	POS	PART NUMBER
OBSOLETE	RED	10.90	12.00	8.00	5P	<del>8-440054-5</del>
		8.90	10.00	6.00	4P	<del>8-440054-4</del>
		6.90	8.00	4.00	3P	<del>8-440054-3</del>
		4.90	6.00	2.00	2P	<del>8-440054-2</del>
	BLACK	10.90	12.00	8.00	5P	6-440054-5
		8.90	10.00	6.00	4P	6-440054-4
		6.90	8.00	4.00	3P	6-440054-3
		4.90	6.00	2.00	2P	6-440054-2
	YELLOW	10.90	12.00	8.00	5P	7-440054-5
		8.90	10.00	6.00	4P	7-440054-4
		6.90	8.00	4.00	3P	7-440054-3
		4.90	6.00	2.00	2P	7-440054-2
BLUE	10.90	12.00	8.00	5P	4-440054-5	
	8.90	10.00	6.00	4P	4-440054-4	
	6.90	8.00	4.00	3P	4-440054-3	
	4.90	6.00	2.00	2P	4-440054-2	
NATURAL WHITE	10.90	12.00	8.00	5P	1-440054-5	
	8.90	10.00	6.00	4P	1-440054-4	
	6.90	8.00	4.00	3P	1-440054-3	
	4.90	6.00	2.00	2P	1-440054-2	

TUBE	COLOR	DIM C	DIM B	DIM A	POS	PART NUMBER
OBSOLETE	RED	10.90	12.00	8.00	5P	<del>8-440054-9</del>
		8.90	10.00	6.00	4P	<del>8-440054-8</del>
		6.90	8.00	4.00	3P	<del>8-440054-7</del>
		4.90	6.00	2.00	2P	<del>8-440054-6</del>
	BLACK	10.90	12.00	8.00	5P	6-440054-9
		8.90	10.00	6.00	4P	6-440054-8
		6.90	8.00	4.00	3P	6-440054-7
		4.90	6.00	2.00	2P	6-440054-6
	YELLOW	10.90	12.00	8.00	5P	4-440054-9
		8.90	10.00	6.00	4P	4-440054-8
		6.90	8.00	4.00	3P	4-440054-7
		4.90	6.00	2.00	2P	4-440054-6
BLUE	10.90	12.00	8.00	5P	2-440054-9	
	8.90	10.00	6.00	4P	2-440054-8	
	6.90	8.00	4.00	3P	2-440054-7	
	4.90	6.00	2.00	2P	2-440054-6	
POLY BAG	RED	32.90	34.00	30.00	16P	5-440054-6
		30.90	32.00	28.00	15P	5-440054-5
		28.90	30.00	26.00	14P	5-440054-4
		26.90	28.00	24.00	13P	5-440054-3
	BLACK	24.90	26.00	22.00	12P	5-440054-2
		22.90	24.00	20.00	11P	5-440054-1
		20.90	22.00	18.00	10P	5-440054-0
		18.90	20.00	16.00	9P	3-440054-9
	YELLOW	16.90	18.00	14.00	8P	3-440054-8
		14.90	16.00	12.00	7P	3-440054-7
		12.90	14.00	10.00	6P	3-440054-6
		10.90	12.00	8.00	5P	3-440054-5
BLUE	8.90	10.00	6.00	4P	3-440054-4	
	6.90	8.00	4.00	3P	3-440054-3	
	4.90	6.00	2.00	2P	3-440054-2	
	NATURAL WHITE	32.90	34.00	30.00	16P	1-440054-6
30.90		32.00	28.00	15P	1-440054-5	
28.90		30.00	26.00	14P	1-440054-4	
26.90		28.00	24.00	13P	1-440054-3	
POLY BAG	24.90	26.00	22.00	12P	1-440054-2	
	22.90	24.00	20.00	11P	1-440054-1	
	20.90	22.00	18.00	10P	1-440054-0	
	18.90	20.00	16.00	9P	440054-9	
NATURAL WHITE	16.90	18.00	14.00	8P	440054-8	
	14.90	16.00	12.00	7P	440054-7	
	12.90	14.00	10.00	6P	440054-6	
	10.90	12.00	8.00	5P	440054-5	
POLY BAG	8.90	10.00	6.00	4P	440054-4	
	6.90	8.00	4.00	3P	440054-3	
	4.90	6.00	2.00	2P	440054-2	

THIS DRAWING IS A CONTROLLED DOCUMENT.

DWN O. HU 16JUL2004  
CHK S. HOU 16JUL2004  
APVD W.J. KE 16JUL2004

TE Connectivity

NAME: 2.0 MM PITCH HPI VERTICAL POST HEADERS

PRODUCT SPEC: 108-57100

APPLICATION SPEC:

SIZE: A3 CAGE CODE: 00779 DRAWING NO: C-440054 RESTRICTED TO: -

WEIGHT: GRAMS

CUSTOMER DRAWING

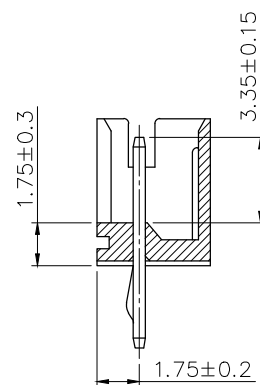
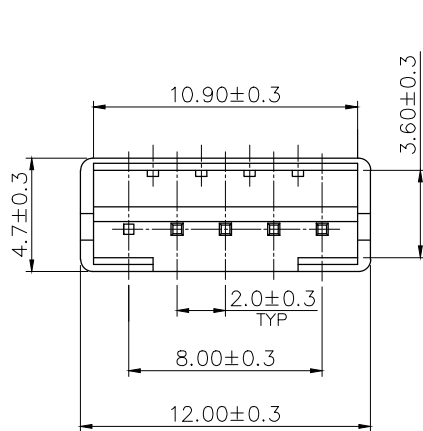
MATERIAL: SEE NOTE FINISH: SEE NOTE

SCALE: - SHEET: 1 OF 5 REV: E2

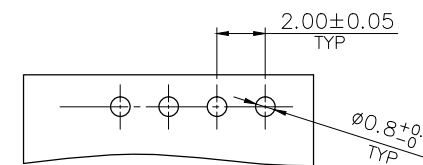
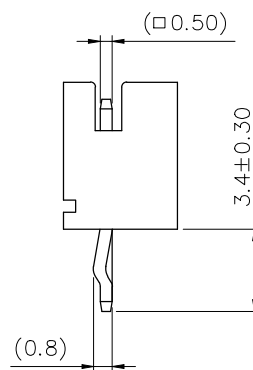
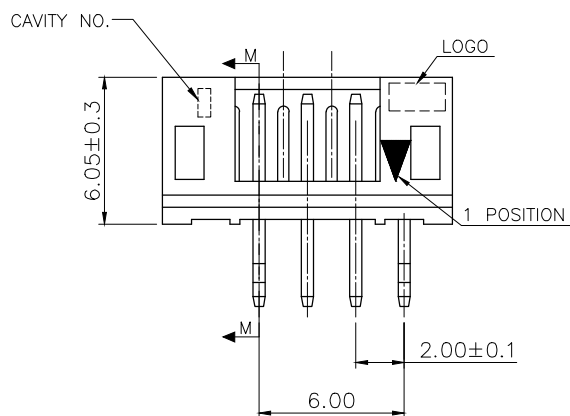
LOC DW DIST

REVISIONS

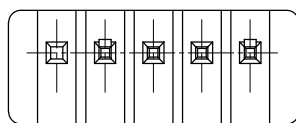
P	LTR	DESCRIPTION	DATE	DWN	APVD
		SEE SHEET 1.			



SECTION M-M



RECOMMENDER PCB LAYOUT (PCB THK=1.0~1.6mm)



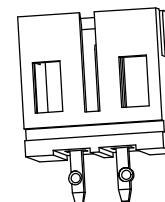
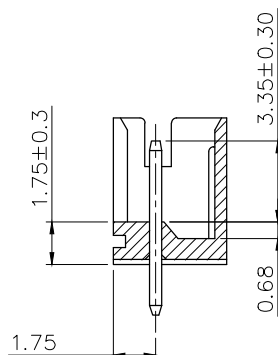
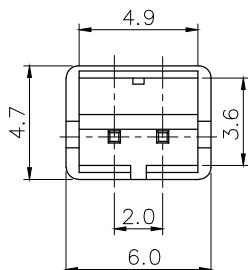
POLY BAG	NATURAL WHITE	PIN 5	4P	9-440054-5
PACKAGE	COLOR	PIN NUMBER LACKED	POS.	PART NUMBER

THIS DRAWING IS A CONTROLLED DOCUMENT.		DWN	<b>STE</b> TE Connectivity		
DIMENSIONS: MM		CHK			
TOLERANCES UNLESS OTHERWISE SPECIFIED:		APVD	NAME		
0 PLC ± -		PRODUCT SPEC	2.0 MM PITCH HPI VERTICAL POST HEADERS		
1 PLC ± 0.3		APPLICATION SPEC	SIZE	CAGE CODE	DRAWING NO
2 PLC ± 0.2		WEIGHT	A3	00779	C-440054
3 PLC ± 0.15		CUSTOMER DRAWING	RESTRICTED TO		
4 PLC ± -		SCALE	SHEET		REV
ANGLES ± 3'			2 of 5		E2
MATERIAL	FINISH				
SEE NOTE (PAGE 1.)	SEE NOTE (PAGE 1.)				

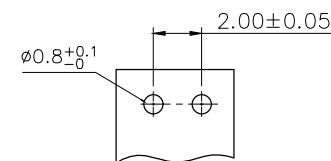
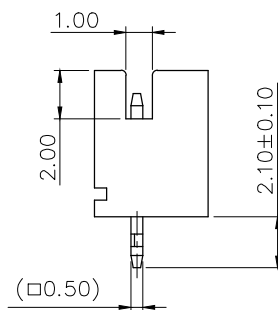
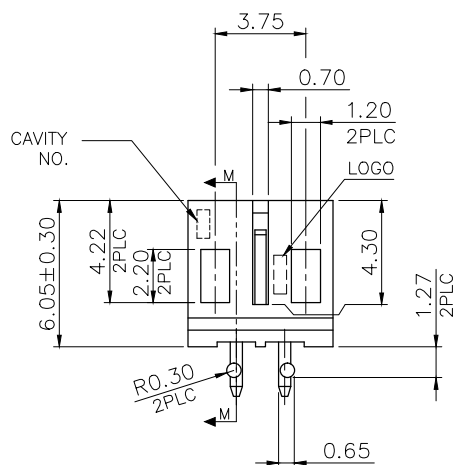
LOC DW DIST

REVISIONS

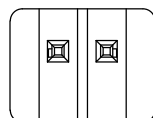
P	LTR	DESCRIPTION	DATE	DWN	APVD
		SEE SHEET 1.			



SECTION M-M



RECOMMENDED PCB LAYOUT (PCB THK=1.0MM~1.6MM)



POLY BAG	NATURAL WHITE	2P	9-440054-2
PACKAGE	COLOR	POS.	PART NUMBER

THIS DRAWING IS A CONTROLLED DOCUMENT.		DWN	<b>STE</b> TE Connectivity	
DIMENSIONS: MM		CHK		
TOLERANCES UNLESS OTHERWISE SPECIFIED:		APVD	NAME	
0 PLC ± -		PRODUCT SPEC	2.0 MM PITCH HPI VERTICAL POST HEADERS	
1 PLC ± 0.3		APPLICATION SPEC	SIZE	RESTRICTED TO
2 PLC ± 0.2		WEIGHT	A3	
3 PLC ± 0.15		CUSTOMER DRAWING	CAGE CODE	DRAWING NO
4 PLC ± -			00779	C-440054
ANGLES ± 3'				
MATERIAL	FINISH		SCALE	SHEET
SEE NOTE (PAGE 1.)	SEE NOTE (PAGE 1.)			3 of 5
				REV E2

LOC DW DIST

REVISIONS

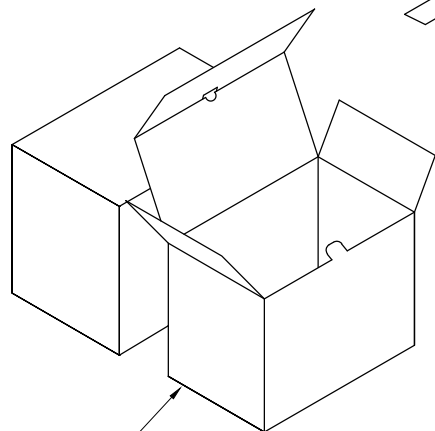
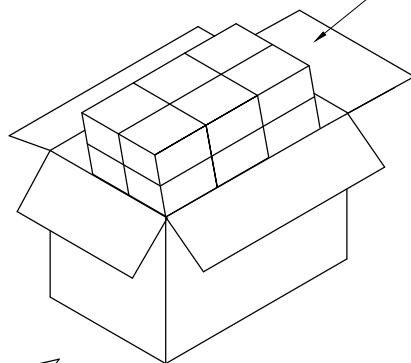
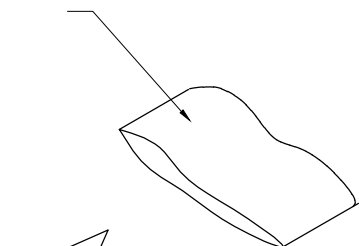
P	LTR	DESCRIPTION	DATE	DWN	APVD
		SEE SHEET 1.			

POLY BAG

CARTON

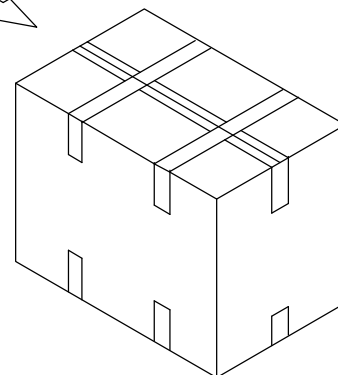
340mm(L)X 470mm(W)X 178mm(H)  
(FOR HEADER 2P~5P ONLY)

340mm(L)X 470mm(W)X 365mm(H)  
(FOR HEADER 6P~16P ONLY)



INEER BOX

320mm(L)X 220mm(W)X 155mm(H)



17,600	550	4P	9-440054-5
40,000	1,000	2P	9-440054-2
<del>17,600</del>	<del>550</del>	<del>5P</del>	<del>8-440054-5</del>
<del>20,800</del>	<del>650</del>	<del>4P</del>	<del>8-440054-4</del>
<del>27,000</del>	<del>750</del>	<del>3P</del>	<del>8-440054-3</del>
<del>40,000</del>	<del>1,000</del>	<del>2P</del>	<del>8-440054-2</del>
17,600	550	5P	6-440054-5
20,800	650	4P	6-440054-4
27,000	750	3P	6-440054-3
40,000	1,000	2P	6-440054-2
16,000	250	12P	7-440054-6
18,000	250	11P	7-440054-5
19,200	300	10P	7-440054-4
22,400	350	9P	7-440054-3
22,400	350	8P	7-440054-2
25,600	400	7P	7-440054-1
28,800	450	6P	7-440054-0
17,600	550	5P	4-440054-5
20,800	650	4P	4-440054-4
27,000	750	3P	4-440054-3
40,000	1,000	2P	4-440054-2
17,600	550	5P	2-440054-5
20,800	650	4P	2-440054-4
27,000	750	3P	2-440054-3
40,000	1,000	2P	2-440054-2
12,000	200	16P	1-440054-6
12,000	200	15P	1-440054-5
12,800	200	14P	1-440054-4
15,000	250	13P	1-440054-3
16,000	250	12P	1-440054-2
18,000	250	11P	1-440054-1
19,200	300	10P	1-440054-0
22,400	350	9P	440054-9
22,400	350	8P	440054-8
25,600	400	7P	440054-7
28,800	450	6P	440054-6
17,600	550	5P	440054-5
20,800	650	4P	440054-4
27,000	750	3P	440054-3
40,000	1,000	2P	440054-2
APQ	PPQ		
(PCS/CARTON)	(PCS/BAG)	POS.	PART NUMBER

THIS DRAWING IS A CONTROLLED DOCUMENT.

**STE** TE Connectivity

NAME: 2.0 MM PITCH HPI VERTICAL POST HEADERS

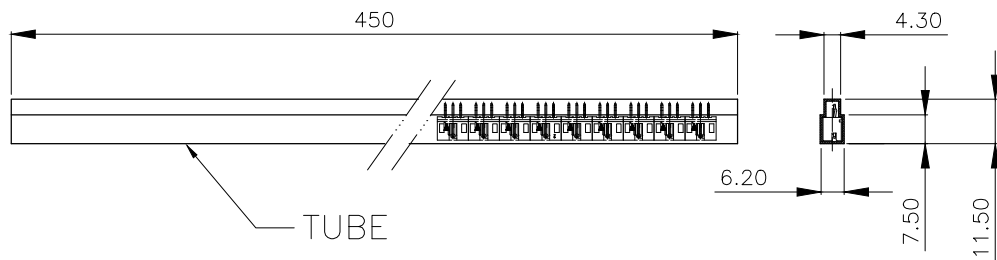
SIZE: A3 CAGE CODE: 00779 DRAWING NO: C-440054 RESTRICTED TO: -

MATERIAL: - FINISH: - WEIGHT: -

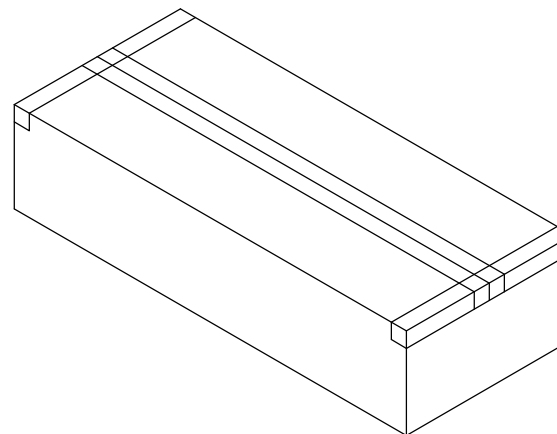
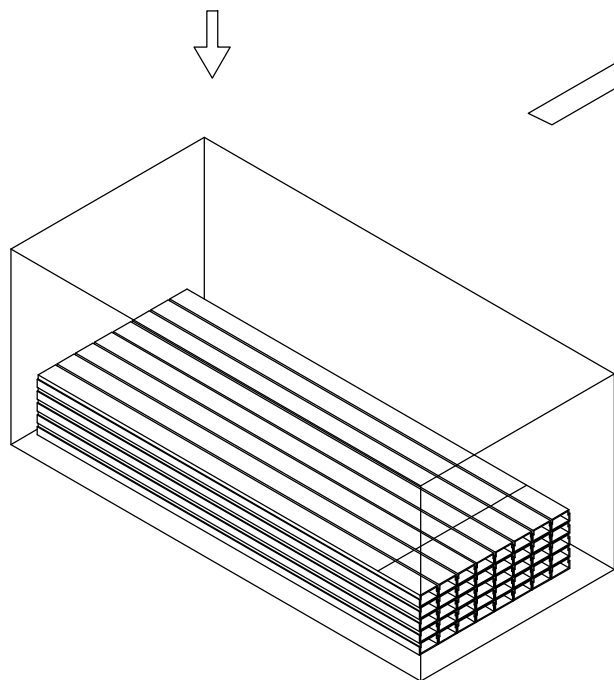
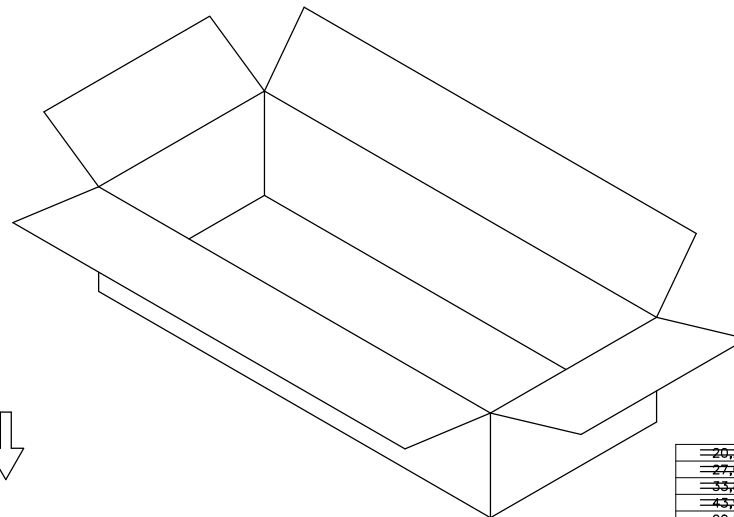
CUSTOMER DRAWING SCALE: - SHEET: 4 of 5 REV: E2

DIMENSIONS: MM	TOLERANCES UNLESS OTHERWISE SPECIFIED:	DWN	CHK	APVD
0 PLC ± -	1 PLC ± -	PRODUCT SPEC		
2 PLC ± -	3 PLC ± -	APPLICATION SPEC		
4 PLC ± -	ANGLES ± -	WEIGHT		

LOC		DIST		REVISIONS					
DW				P	LTR	DESCRIPTION	DATE	DWN	APVD
SEE SHEET 1.									



CARTON  
470 mm(L)X 340mm(W)X 178mm(H)



20,280	30	5P	8-440054-9
27,040	40	4P	8-440054-8
33,800	50	3P	8-440054-7
43,940	65	2P	8-440054-6
20,280	30	5P	6-440054-9
27,040	40	4P	6-440054-8
33,800	50	3P	6-440054-7
43,940	65	2P	6-440054-6
20,280	30	5P	4-440054-9
27,040	40	4P	4-440054-8
33,800	50	3P	4-440054-7
43,940	65	2P	4-440054-6
20,280	30	5P	2-440054-9
27,040	40	4P	2-440054-8
33,800	50	3P	2-440054-7
43,940	65	2P	2-440054-6
6,760	10	16P	5-440054-6
8,112	12	15P	5-440054-5
8,112	12	14P	5-440054-4
8,788	13	13P	5-440054-3
10,140	15	12P	5-440054-2
10,816	16	11P	5-440054-1
12,168	18	10P	5-440054-0
13,520	20	9P	3-440054-9
14,872	22	8P	3-440054-8
16,900	25	7P	3-440054-7
18,928	28	6P	3-440054-6
20,280	30	5P	3-440054-5
27,040	40	4P	3-440054-4
33,800	50	3P	3-440054-3
43,940	65	2P	3-440054-2
APQ	PPQ	POS.	PART NUMBER
(PCS/CARTON)	(PCS/TUBE)		

THIS DRAWING IS A CONTROLLED DOCUMENT.

**STE** TE Connectivity

NAME: 2.0 MM PITCH HPI VERTICAL POST HEADERS

SIZE: A3 CAGE CODE: 00779 DRAWING NO: C-440054 RESTRICTED TO: -

MATERIAL: - FINISH: - WEIGHT: - CUSTOMER DRAWING: - SCALE: - SHEET: 5 of 5 REV: E2

DIMENSIONS: MM	TOLERANCES UNLESS OTHERWISE SPECIFIED:
	0 PLC ± -
	1 PLC ± -
	2 PLC ± -
	3 PLC ± -
	4 PLC ± -
	ANGLES ± -